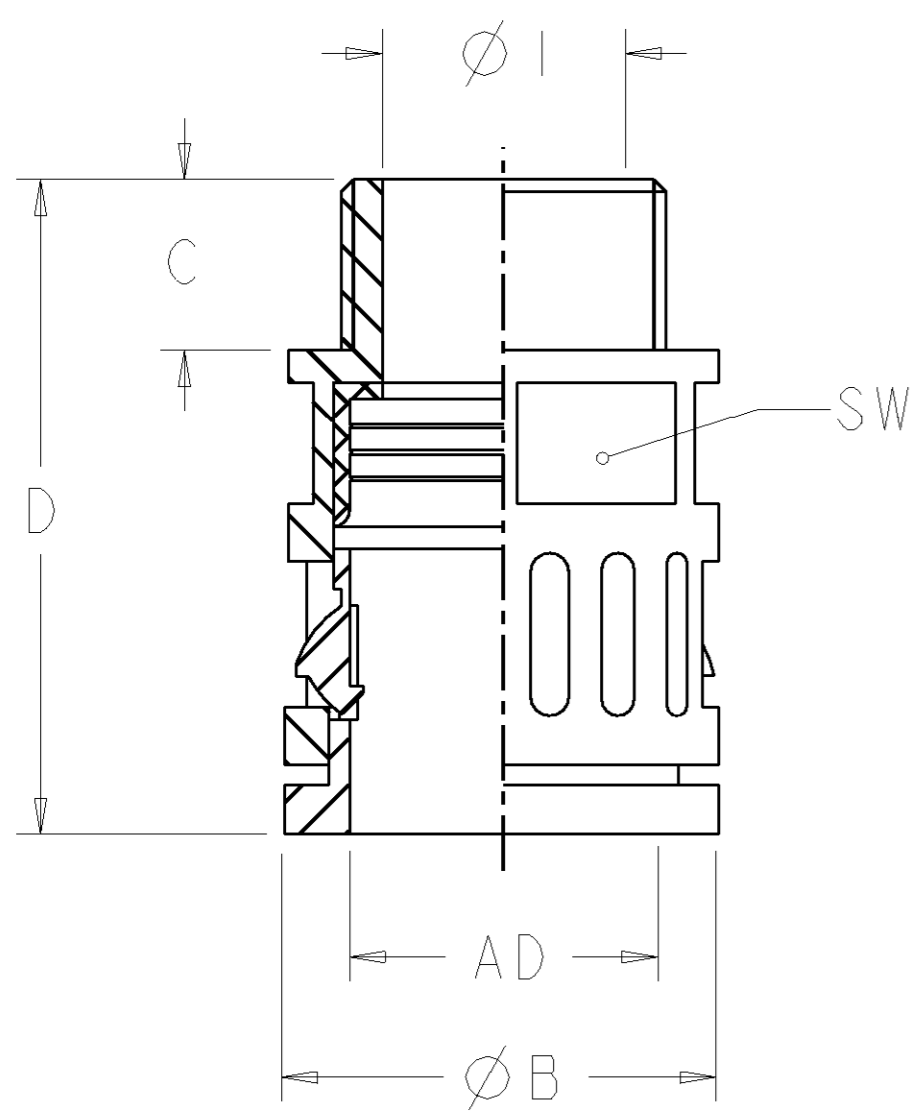


THIS DRAWING IS UNPUBLISHED. RELEASED FOR PUBLICATION  
 © COPYRIGHT 19 BY TYCO ELECTRONICS CORPORATION. ALL RIGHTS RESERVED.

LOC	DIST	REVISIONS					
FT	0	P	LTR	DESCRIPTION	DATE	DWN	APVD
		O		RLSE PER NPR 5738	-	-	-
		A		0G3B-0478-00	31JAN2001	EZ	MC
		B		REVISED PER 0G3B-0674-00	11FEB2002	EZ	SH



- 1 Material: PA
- 2 Color: black
- 3 Color: grey
- 4 DIN 16901-140

3.50	25	49.0	56.5	18.0	55.0	36.5	1 1/2"	42.5	Grey	3-796253-2
3.10	25	49.0	56.5	18.0	52.0	36.5	1 1/4"	42.5	Grey	3-796253-1
2.20	25	40.0	52.0	16.0	44.0	27.5	1"	34.5	Grey	3-796253-0
1.40	25	34.0	47.5	14.0	37.0	21.0	3/4"	28.5	Grey	2-796253-9
1.00	50	27.0	43.5	12.0	29.5	17.0	1/2"	21.2	Grey	2-796253-6
0.70	50	21.0	39.0	12.0	27.0	12.5	1/2"	15.8	Grey	2-796253-5
0.60	50	21.0	39.0	12.0	23.0	12.5	3/8"	15.8	Grey	2-796253-4
0.45	50	18.0	37.0	12.0	20.0	10.0	3/8"	13.0	Grey	2-796253-3
0.40	50	18.0	37.0	12.0	20.0	10.0	1/4"	13.0	Grey	2-796253-2
0.35	50	15.5	34.0	11.5	17.0	7.0	1/4"	10.0	Grey	2-796253-1
1.00	50	27.0	43.5	13.0	29.5	16.0	1/2"	21.8	Black	1-796253-4
1.00	50	27.0	38.5	13.0	29.5	16.0	1/2"	17.8	Black	1-796253-3
4.50	10	60.0	60.0	21.0	65.0	48.5	2"	54.5	Black	1-796253-2
4.20	10	60.0	57.0	18.0	64.0	48.5	1 1/2"	54.5	Black	1-796253-1
3.50	25	49.0	56.5	18.0	55.0	36.5	1 1/2"	42.5	Black	1-796253-0
3.10	25	49.0	56.5	18.0	52.0	36.5	1 1/4"	42.5	Black	796253-9
2.20	25	40.0	52.0	16.0	44.0	27.5	1"	34.5	Black	796253-8
1.40	25	34.0	47.5	14.0	37.0	21.0	3/4"	28.5	Black	796253-7
1.00	50	27.0	43.5	12.0	29.5	17.0	1/2"	21.2	Black	796253-6
0.70	50	21.0	39.0	12.0	27.0	12.5	1/2"	15.8	Black	796253-5
0.60	50	21.0	39.0	12.0	23.0	12.5	3/8"	15.8	Black	796253-4
0.45	50	18.0	37.0	12.0	20.0	10.0	3/8"	13.0	Black	796253-3
0.40	50	18.0	37.0	12.0	20.0	10.0	1/4"	13.0	Black	796253-2
0.35	50	15.5	34.0	11.5	17.0	7.0	1/4"	10.0	Black	796253-1
Approx. Weight kg/100p	Packaging Unit	SW	D	C	ØB	ØI	NPT	AD	Color	Part Number
		mm	mm	mm	mm	mm		Trade Size		
		Hex Width	Total Length	Length of Thread	Largest Outer-Ø	Smallest Inner-Ø	Thread	Tubing Outer-Ø		

THIS DRAWING IS A CONTROLLED DOCUMENT FOR TYCO ELECTRONICS CORPORATION. IT IS SUBJECT TO CHANGE AND THE CONTROLLING ENGINEERING ORGANIZATION SHOULD BE CONTACTED FOR THE LATEST REVISION.

DWN: S. WELDON 26MAY1999  
 CHK: D. BIEVENOUR 26MAY1999  
 APVD: D. BIEVENOUR 26MAY1999

**AMP** AMP DEUTSCHLAND GmbH  
 D - 63225 Langen

NAME: Straight Reducing Connection

PRODUCT SPEC: -  
 APPLICATION SPEC: -  
 WEIGHT: -

SIZE: A2 CAGE CODE: 00779 DRAWING NO: 796253 RESTRICTED TO: -  
 SCALE: NTS SHEET 1 OF 1 REV B

CUSTOMER DRAWING